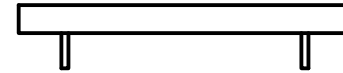
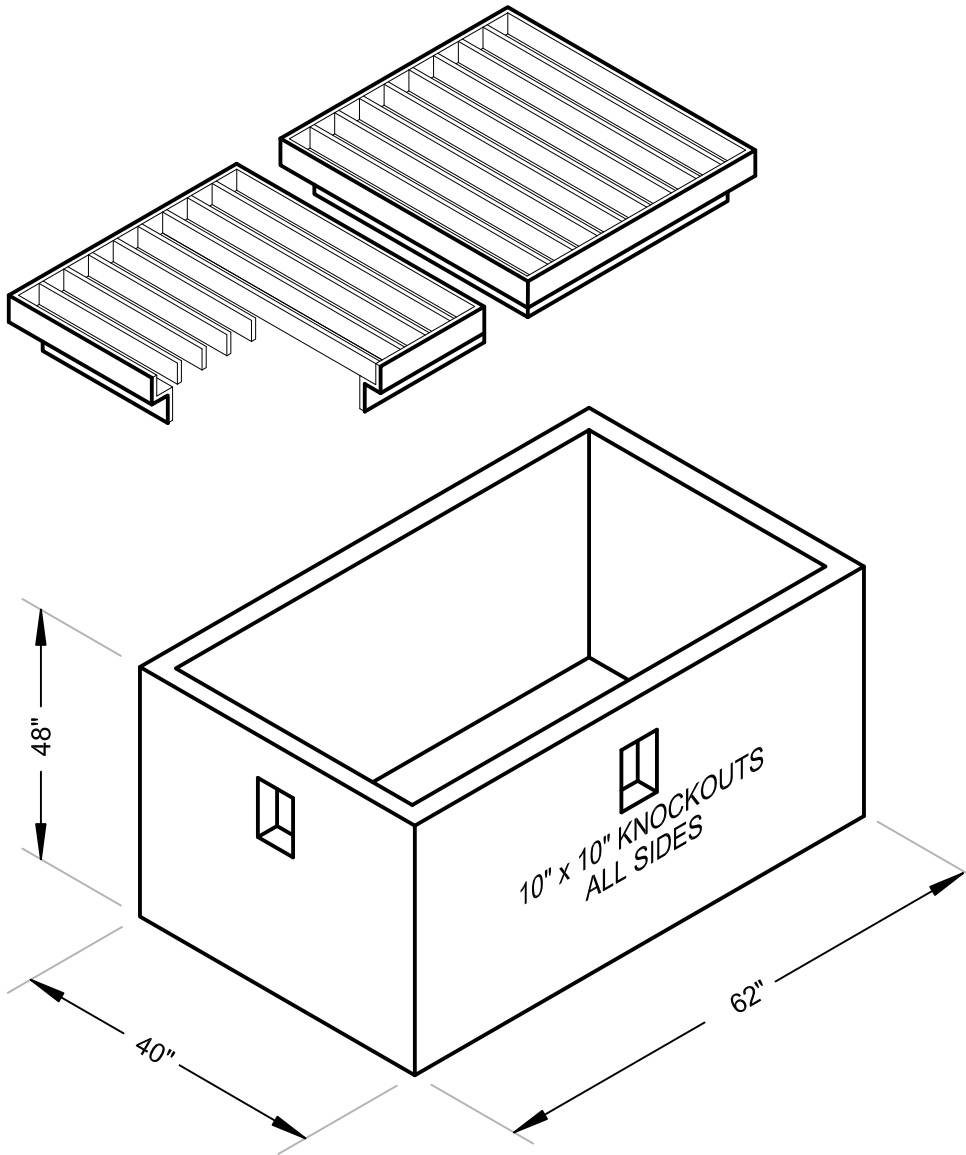


DATE: 10/19/07

DRAWING NAME: HCOP\_CARWASHBSP



GRATE SIDE VIEW

STANDARD FEATURES:

- 4500 PSI CONCRETE
- WIRE MESH REINFORCEMENT
- 3" FLOOR, 4" WALLS
- 2 PIECE ADJUSTABLE GALVANIZED GRATE
- 10" x 10" KNOCKOUTS ON ALL SIDES

NOTES:

- SPECIAL ORDER ONLY
- 2 PIECE GRATE SITS INTO 1 PIECE FRAME WITH 3" SKIRT FOR ADJUSTMENT TO ALIGN WITH SLAB STEEL
- SEE SITE PREPARATION SHEET FOR IMPORTANT DEPTH LIMITATION INFORMATION
- GRATES AVAILABLE TRAFFIC OR PEDESTRIAN RATINGS

DIMENSIONS (INCHES):

GRATE FRAME ID	35 $\frac{1}{2}$ W x 57 $\frac{1}{2}$ L x 2 $\frac{3}{4}$ H
GRATE	35 $\frac{1}{4}$ W x 28 $\frac{1}{2}$ L x 2 $\frac{1}{2}$ H

**CAR WASH BAY SUMP TANK**



**HILL COUNTRY**  
CONCRETE PRODUCTS, INC.

PO Box 357  
 Kyle, Texas 78640  
 512.268.9711  
 Austin Line 512.476.5838  
 Fax 512.268.0215  
 hillcountryconcrete.com

CAR WASH BAY SUMP TANK