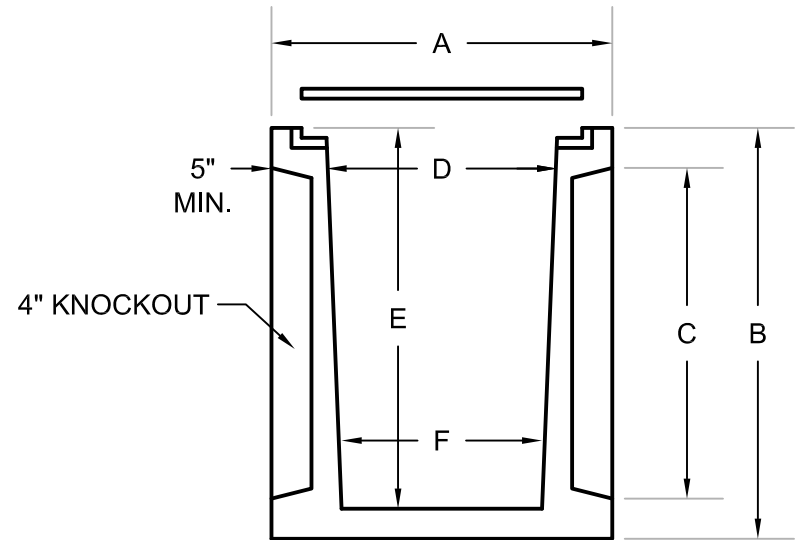
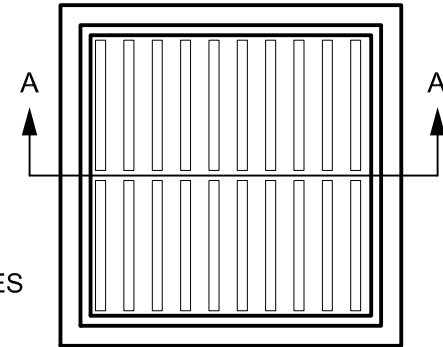


STANDARD FEATURES:

- 4500 PSI CONCRETE
- AASHTO H-20 RATED
- AMERICAN MADE FRAMES AND GRATES



SECTION A-A

SIZE	A	B	C	D	E	F	MAXIMUM RCP
18 X 18 X 24	27 $\frac{1}{2}$ "	28"	18"	16"	24"	14 $\frac{3}{8}$ "	12"
18 X 18 X 36	27 $\frac{1}{2}$ "	40"	18"	17"	36"	14 $\frac{3}{8}$ "	12"
18 X 18 X 45	27 $\frac{1}{2}$ "	49"	18"	18"	45"	14 $\frac{3}{8}$ "	12"
24 X 24 38	34"	42"	25"	23"	38"	20"	18"
24 X 24 45	34"	49"	25"	24"	45"	20"	18"
30 X 30 X 45	40 $\frac{1}{2}$ "	49"	32"	30"	45"	26"	24"

NOTE: VARIABLE HEIGHT EXTENSIONS AVAILABLE

CATCH BASIN



HILL COUNTRY
CONCRETE PRODUCTS, INC.

PO Box 357
Kyle, Texas 78640
512.268.9711
Austin Line 512.476.5838
Fax 512.268.0215
hillcountryconcrete.com