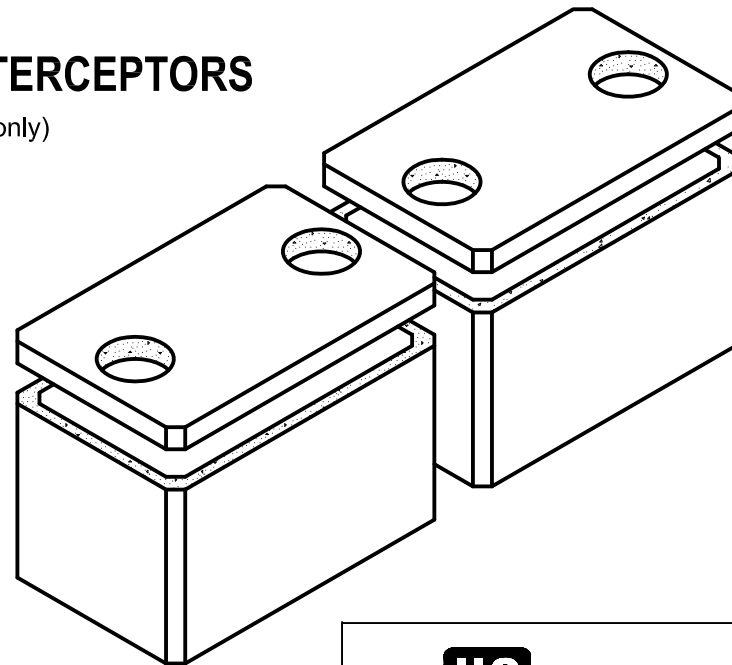


TYPICAL SERIES INTERCEPTORS

(for illustration only)

NOTES:

- SIZES/COMBINATIONS CAN VARY AS NEEDED
- LIDS AVAILABLE WITH ONE HOLE
- WE RECOMMEND ADDING 2-WAY CLEANOUT BETWEEN TANKS
- INLET & OUTLET FITTINGS ARE SCH 40 PVC
- SEE SITE PREPARATION SHEET FOR IMPORTANT DEPTH LIMITATION INFORMATION
- CHECK LOCAL CODE FOR SERIES CONNECTION STANDARDS AND REQUIRED CLEANOUTS



TYPICAL SERIES INTERCEPTORS



HILL COUNTRY
CONCRETE PRODUCTS, INC.

PO Box 357
Kyle, Texas 78640
512.268.9711
Austin Line 512.476.5838
Fax 512.268.0215
hillcountryconcrete.com