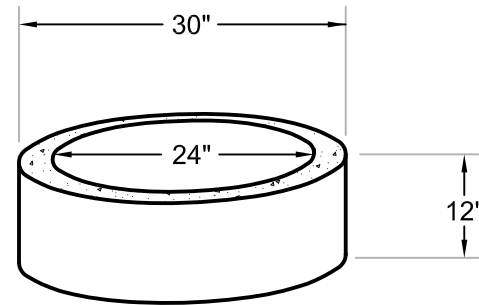
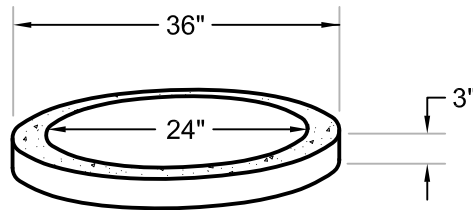


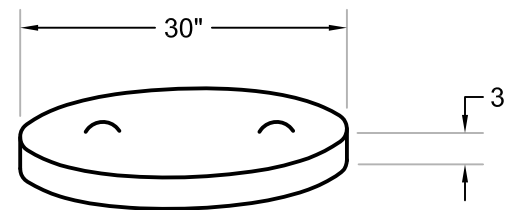
24" = 525 LBS.
36" = 795 LBS.



12" = 265 LBS



3" = 147 LBS.



3" SOLID COVER = 185LBS

24" DIAMETER GRADE EXTENSIONS



HILL COUNTRY
CONCRETE PRODUCTS, INC.

PO Box 357
Kyle, Texas 78640
512.268.9711
Austin Line 512.476.5838
Fax 512.268.0215
hillcountryconcrete.com

24" DIAMETER GRADE EXTENSIONS