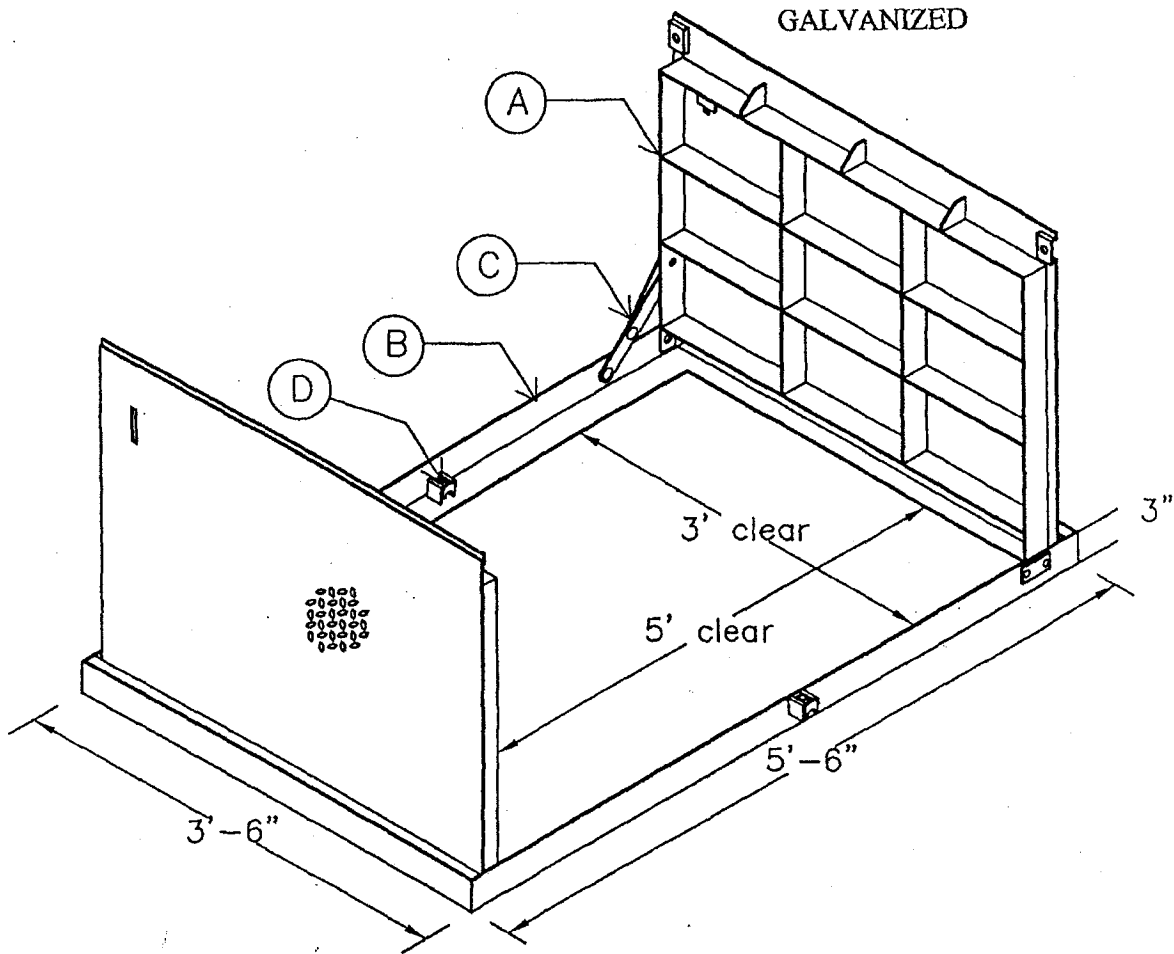


3'-0" x 5'-0" Torsion Assist Frame & Cover Assembly
 Available in Traffic or Parkway Loading



- A. Torsion Assist Covers available in diamond or slip resistance plate
- B. Frame Assembly available in both cast in or skirted
- C. Kick Stand
- D. Locking Mechanism

Features

- Torsion assist to reduce the lifting weight of cover
- Hardware is cadmium plated to reduce corrosion
- Locking kickstand prevents the covers from accidentally closing
- Covers available to open 90 or 180 degrees
- Frame and Covers available galvanized or painted
- Covers available with security bolts or locking mechanisms
- Covers available with either lifting handles or pick holes
- Other sizes available upon request

Prepared By: MLF

Date: 01-16-01

**3'-0" x 5'-0" Torsion Assist
 Frame & Cover Assembly**