

**STANDARD FEATURES:**

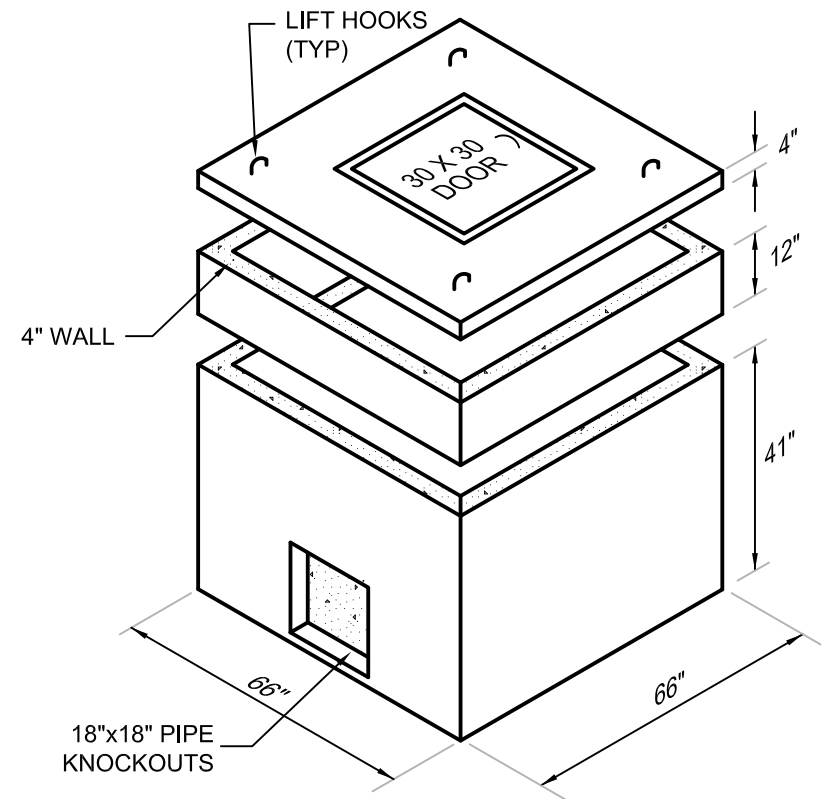
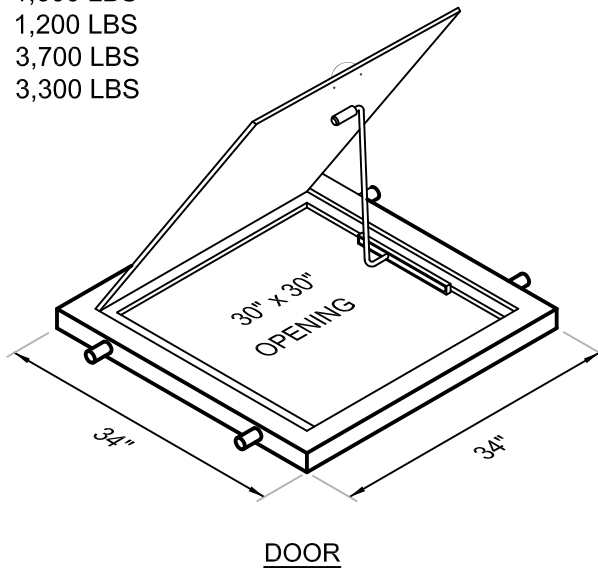
- 4500 PSI CONCRETE
- GRADE 60 REINFORCING
- BASE HAS NO FLOOR
- BASE IS AASHTO H-20 RATED TO MAX DEPTH OF 10 FT (EXCLUDES LID)
- 18" X 18" THIN WALL KNOCKOUTS
- 12" EXTENSION FOR BASE
- 4" STANDARD NON-TRAFFIC LID
- 30" X 30" NON-TRAFFIC GALVANIZED DOOR CAST FLUSH TO LID (DROP HANDLE, SELF-LOCKING, SAFETY KICK-STAND)

**NOTES:**

- TRAFFIC RATED LID AND TRAFFIC RATED DOOR AVAILABLE
- CUSTOM KNOCKOUTS AVAILABLE

**WEIGHT (APPROXIMATE):**

VAULT	1,600 LBS
EXTENSION	1,200 LBS
LID	3,700 LBS
TRAFFIC LID	3,300 LBS



**METER VAULT - 6868 MV-3**

**HCCP**  
**HILL COUNTRY**  
 CONCRETE PRODUCTS, INC.

PO Box 357  
 Kyle, Texas 78640  
 512.268.9711  
 Austin Line 512.476.5838  
 Fax 512.268.0215  
 hillcountryconcrete.com